



# SYSTEM SÄLZER® Series S6es – Aluminium window system

Combinable protection for highest security requirements

up to RC4 | up to FB4-NS | up to EXR3, EPR4 and tested with up to 500 kg explosive charges



## Security Windows

Letting in daylight –  
locking out threats



# Aluminium window Series S6es – highest security and variety in design

The characteristic product features of the aluminium window of the SÄLZER Series S6es are elegance, design variety and combinable security against forced entry, bullets and explosion.

SÄLZER has tested many design variations: single and multiple window elements, as fixed field or with turn, tilt, tilt-turn or turn-tilt window hardware, with top and side lights.

Also tested as French window, as well as outward opening window with top or side hung wings in various resistance classes.

## Tested, certified and combinable security\*



› **Forced entry resistance**  
According DIN EN 1627-1630  
**up to RC4.**

Also tested as French casement window and as outward opening top and side hung window tested  
**up to RC4.**

Model range SECURON® was tested even in the tilted window position  
**up to RC3.**

Glazing according to DIN EN 356  
**up to P6B.**



› **Bullet resistance**  
According DIN EN 1522-1523  
**up to FB4-NS.**

Glazing according to DIN EN 1063  
**up to BR4-NS.**

Model range SECURON® protect in the closed window position also  
**up to FB4-NS.**



› **Blast Resistance**  
According DIN EN 13121-1 **up to EPR4**, peak pressure 200 kPa, the duration of the positive phase is not allowed to be less than 20 ms.

According DIN EN 131213 **up to EXR3** (12 kg | 5.5 m).  
In open range tests: with explosive loads **up to 500 kg**, reflected pressure **up to 880 kPa**, reflected impulse **1.543 kPa-msec.**

**Industry-sector-specific tests** e.g. for the petrochemical industry, peak pressure  $p_{max} = 134 \text{ kPa}$ , pressure duration  $t_p > 2 \text{ sec}$ .

Model range SECURON® was tested even in the tilted window position with a reflected pressure **of 87 kPa**, reflected impulse **of 537 kPa-msec.**

Glazing according to SÄLZER specification

**Classified:**  
**GSA 2** (Protection Level "Very High")  
**ISO B** (Hazard Rating "No Hazard").

\*For higher security requirements please refer to Series S2es.

Aluminium windows of the Series S6es are fully compatible within the SYSTEM SÄLZER® (doors, facades, partition walls).

## Performance at a glance

› **Variably combinable protection** against forced entry, bullets and explosions.

› **Tested as a complete element** including glazing, hardware and wall connection in various design configurations.

› **The security components are invisibly integrated into the profile.**

The SÄLZER profile systems have been specially developed for combinable security requirements.

› **The profile face widths and depths** are the same irrespective of the selected security combination and security level. This ensures a uniform appearance within a building, even with a graduated security concept.

› **Infill thickness up to 90 mm (inward opening sash) and 80 mm (fixed window / outward opening sash)** with internally flush glazing beads.

› **No visible fixings to the glazing beads are required,** due to the profile geometry and the stable design (patent).

› **The glazing is designed to be pressure and impact resistant without the requirement of bonding** into either fixed or moving frames. This ensures natural glazing rebate ventilation, controlled water flow and, if necessary, simple glass replacement.

› **The window sash is secured with our patented multipoint locking mechanism SAELOX®.** In the closed position the sash and frame locking parts interlock in 2 areas into each other.

› **All SAELOX® locking parts, on the frame and on the sash, are securely fixed and interact with the window profiles** offering a greater resistance level for both forced entry and blast applications.

› **Electronic monitoring components** such as magnetic sensors or bolt switch contacts can be invisibly integrated.

› **Window with turn hardware tested** up to a sash weight of 350 kg and tilt-turn hardware tested up to 200 kg.

### Further special design options in high security classes

› Also tested: **French casement windows and as well as outward opening top hung and side hung windows up to RC4, FB4-NS and blast tested with an explosive charge up to 100 kg.**

› Windows of the **Series S6es SECURON®** are designed to be **forced entry resistant even in tilted window position up to RC3.** They are also **explosion resistant in tilted position up to an explosive charges of 100 kg.** Reinforced and tamper-resistant security interlocks as well as special security scissors were integrated to offer this additional security feature. SECURON® windows can be opened for night cooling or ventilation in tilted window position during the day without increasing the security risk – this ensures an energy-saving limiting the need for air conditioning of buildings.

› Also tested as **French window** and as well as **outward opening window with top or side hung wings up to RC4.**

› The fixed window can be constructed **as transaction window with integrated exchange drawer.** The complete element will be designed according the requirements of the customer, additional features like intercom systems, lighting, counters etc. are available.

› The model range **METAS®** (please ask for separate data sheet) **is especially developed for the demands of police, courts and prisons.** They offer both-way protection against forced entry and breakout attempts from the inside without using grilles and prevent against suicide attempts by the inmates.



## Building physics according to DIN EN 14351-1

Besides their high security SÄLZER security windows comply with all requirements in building physics according to DIN EN 14351 and are CE marked.



**Resistance against wind load**  
According to DIN EN 12210  
Depending on the type of window up to class C5, 2.000 Pa.



**Water tightness**  
According to DIN EN 12208  
Depending on the type of window up to class E900, 600 Pa



**Air permeability**  
According to DIN EN 12207  
Depending on the type of window up to level 4, 600 Pa.



**Impact resistance**  
According to DIN EN 13049  
Depending on the type of window up to level 5.



**Thermal insulation**  
According to DIN EN ISO 10077-2  
Depending on the type of window  $U_w = 1,4 - 1,7 \text{ W/m}^2\text{K}$  (double glazing).

$U_w = 0,8 - 1,5 \text{ W/m}^2\text{K}$  (triple glazing).



**Sound insulation**  
ISO 140-3  
Depending on the type of window up to  $R_w$  45 dB.



**Life cycle test**  
Level 3: 20.000 cycles with 350 kg sash weight.

## Custom-made design

The SÄLZER aluminium profile system permits individually designed construction according to client requirements. The planner, architect and building receive their tailor-made security window which also satisfy the most exacting demands in terms of design, comfort and functionality.

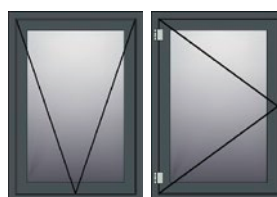
### Designbeispiele



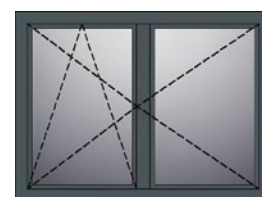
**Transaction window** with transaction drawer, intercoms and further equipment.



**Variety of tested design variations:** fixed window, available with turn, tilt or tilt-turn window hardware, with top and side lights optional: tested in tilted position up to **RC3**



**Outward opening top hung or side hung window,** optionally with electrical drive



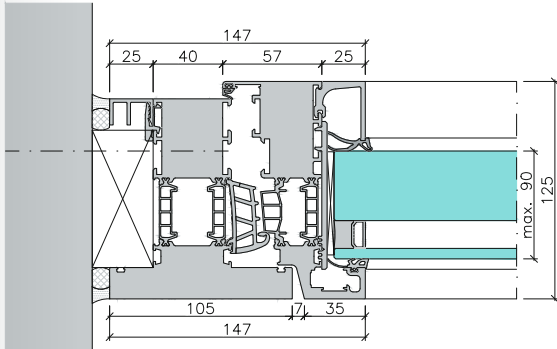
**Available as French casement window** (openable mullion)

### □ ○ ▲ Surface diversity

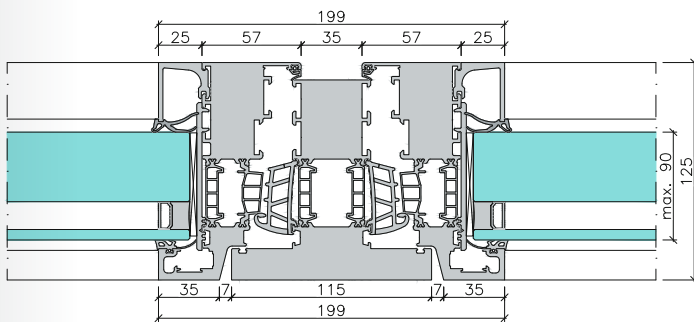
The profile surfaces can be individually adapted inside and outside to the design of the building. Powder-coated, anodised surfaces as well as over clad with timber, stainless steel, stone, bronze and other options.

## Example of horizontal / vertical section

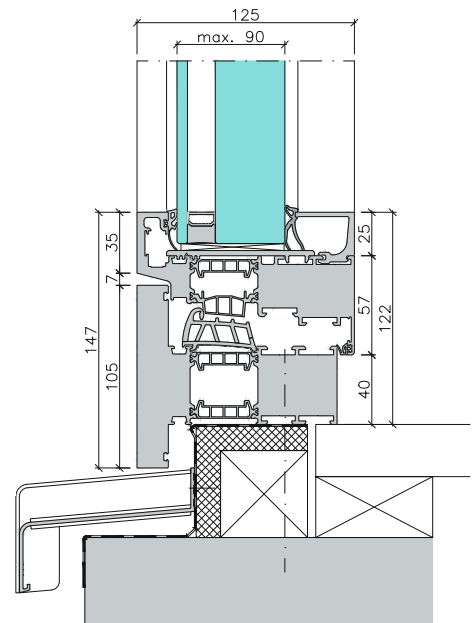
### Standard inward opening window | SECURON®



› **Horizontal section A - A**  
(Wall connection)

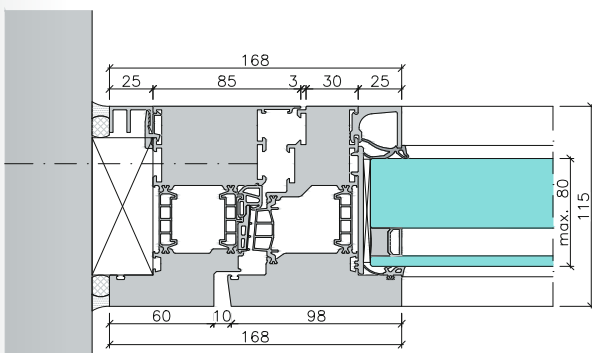


› **Horizontal section B - B**  
(Mullion inward opening window, SECURON® mullion width 150 mm instead of 115 mm)

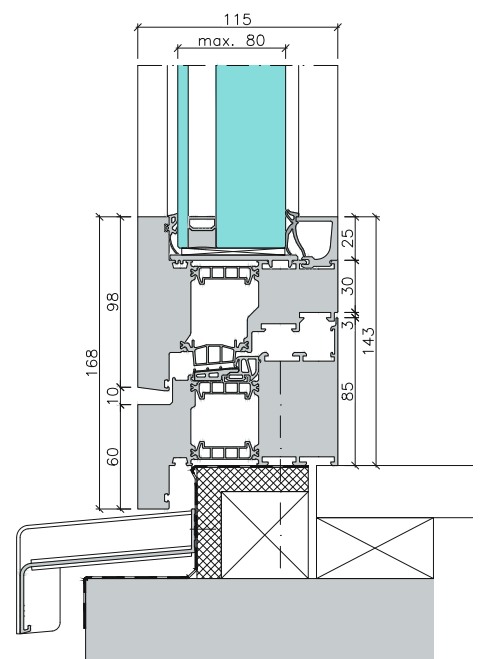


› **Vertikal section C - C**  
(Parapet)

### Outward opening window



› **Horizontal section A - A**  
(Wall connection)

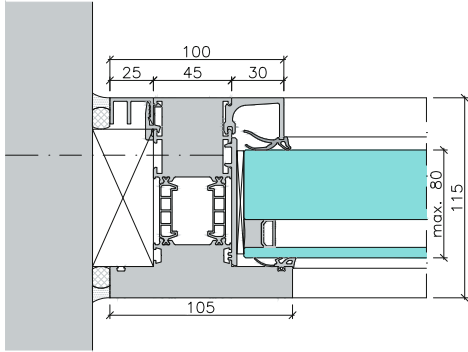


› **Vertikal section B - B**  
(Parapet)

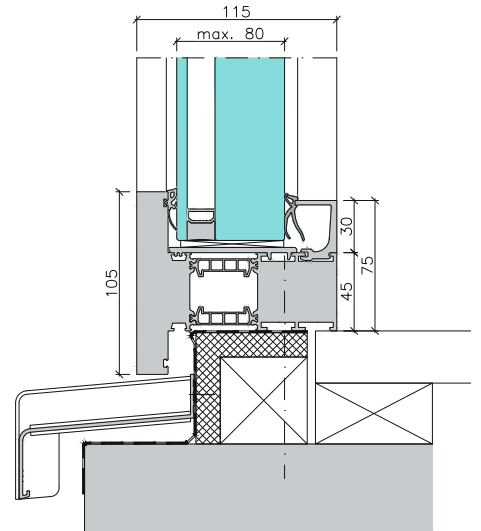


## Example of horizontal / vertical section

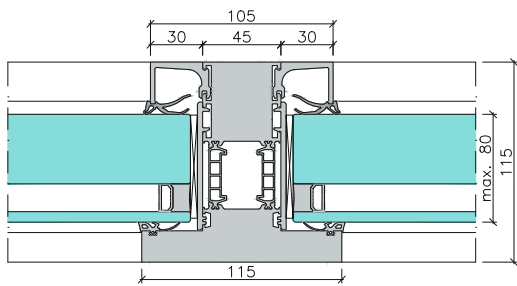
### Fixed window



› **Horizontal section A - A**  
(Wall connection - fixed field)



› **Vertikal section C - C**  
(Parapet)



› **Horizontal section B - B**  
(Mullion)



### Profil depth, profile face width and infill thickness

› **Profile depth**

Window frame, mullion, transom	115 mm
Window sash (inward opening)	125 mm
Window sash (outward opening)	115 mm

› **Infill thickness**

Sash (inward opening)	90 mm
Fixed window	80 mm
Sash (outward opening)	80 mm

› **Profile face width**

	Inward opening sash	SECURON®	Outward opening sash
Window frame, below	105 mm	105 mm	60 mm
Window frame, above and lateral	65 mm	80 mm	60 mm
Mullion/transom	80 mm	105 mm	–
Window sash	35 mm	35 mm	98 mm
French door	35 mm	35 mm	–

The inward opening window sash is the standard design.

Other profile face width are possible.

# SYSTEM SÄLZER® – Systemized security



## › SYSTEM SÄLZER® – The security system for windows, doors and facades

Owned by the third generation of the SÄLZER family and with over 130 employees, SÄLZER GmbH in Marburg develops and sells concepts that protect against forced entry, bullets, explosions, fire and smoke. In addition to windows, doors and facades in the highest security and resistance classes, the company also supplies gates, barriers, grilles, retractable bollards for perimeter security, as well as guard houses. SÄLZER supports public authorities and private building owners in Germany and worldwide with a wide range of products that can be networked and combined at all security levels. Our customers benefit from individual consultation and planning meetings as well as digital planning support in the form of AutoCAD files and specification texts.

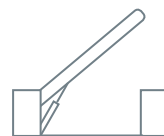
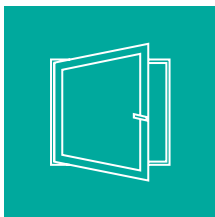
For more information visit [www.saelzer-security.com](http://www.saelzer-security.com)

## SCHÜCO

### › Schüco – System solutions for windows, doors and facades

Based in Bielefeld, the Schüco Group develops and sells system solutions for windows, doors and façades. With 5650 employees worldwide, the company strives to be the industry leader in terms of technology and service today and in the future. In addition to innovative products for residential and commercial buildings, the building envelope specialist offers consultation and digital solutions for all phases of a building project – from the initial idea through to design, fabrication and installation. 12,000 fabricators, developers, architects and investors around the world work together with Schüco. The company is active in more than 80 countries and achieved a turnover of 1.750 billion euros in 2019.

For more information visit [www.schueco.com](http://www.schueco.com)



AUB Limited  
Unit A, 12/F, Hung Mou Industrial Building,  
62 Hung To Road, Kwun Tong,  
Kowloon, Hong Kong  
Tel : +852 2375 6110  
Fax : +852 2406 2602  
[enquiry@aub.com.hk](mailto:enquiry@aub.com.hk)  
[www.aub.com.hk](http://www.aub.com.hk)