

i-max Update on Card















ASSA ABLOY

Experience a safer
and more open world

A renewed electronic lock with higher robustness. Including a new design of the reader with a sophisticated warning LED. *i-max* keeps all security components on the internal side of the door. It is suitable for all type of doors equipped with traditional mortise locks and it offers special solutions for glass doors and emergency exit doors. Easy installation without any wiring. Making it the perfect solution for any type of door, bedrooms, staff room, common access doors, high traffic doors, etc. Avoiding mechanical keys and getting full access control functionality.



Technical data - i-max

	Door profiles	Suitable for wooden, narrow, glass or sliding doors
	Traffic volume	Medium to high
	Exterior usage	IP56 (Extreme version) Up to 85% humidity -20°C to +70°C
	Hardware compatibility and installation	High retrofit (compatible with most common mortise locks) Drilling, no cabling Doors from 30mm up to 120mm (thicker doors may be possible on demand)
	Power supply	Battery (from 75.000 to 105.000 cycles)* max. 2 years standby** Type of batteries: 3 LR03 AAA 1.5V alkaline batteries
	Multi-authentication	Yes (Card + PIN, PIN only, Card only)
	Status information	Handle usage Internal thumb-turn use recorded (only in models with electronic privacy) Mechanical opening recorded (in combination with a special mortise lock)
	Certifications	CE (EMC, R&TTE) ROHS, REACH, WEE, EN1634 (Fire) EN1906 Category of use Grade 4***
	RFID technologies	HID iCLASS® MIFARE Classic and Ultralight SKIDATA DESFire ISO 15693
	Compatible mobile solutions	 Openow™ (Bluetooth Low Energy)
	System management upgradability	Locks can be upgradeable from Standalone > Read/Write > Wireless Online by: · Adding RF module · Firmware upgrade · Change of internal cover (plastic top)

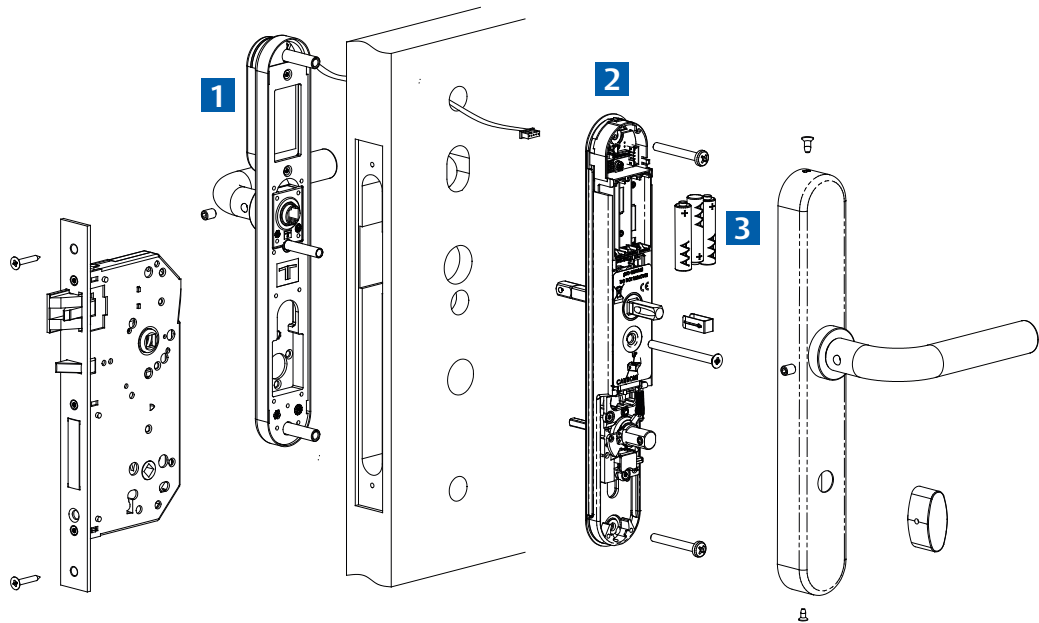
* Depending on reading technology (MIFARE, iCLASS etc.).

** Depending on cycles per day.

*** On request.

Electronic Technical Characteristics

i-max has the reader module on the external lock and the control and battery module on the internal lock. For Openow mobile solution, the models that include the BLE module must be ordered.



1 Reader Module

- 13,56MHz RFID Technology: MIFARE Classic (or Ultralight), iCLASS, DESFire, ISO 15693 or SKIDATA.
- Reading distance. 2-4cm.
- Warning LED. Blue or red lights for different actions: granted access, access denied, low battery level, etc.
- Connection to the programming device. Necessary to initialize the lock and to make emergency openings

2 Control unit and battery module

- Non-volatile memory.
- Up to 3.000 users and 1.200 events.
- Real time clock and calendar. Up to 30 time zones with five different periods during the day. Weekdays and weekends automatically recognized. 365 days calendar to define holidays. DST's automatically updated through the calendar.
- Battery module. Maintains clock and calendar for 5 minutes without batteries.

Operation modes

Possibility to create state tables in the software, to define automatic changes in the doors (during the day) of the following operation modes:

- Standard: The door is closed and a user with authorized access must approach its credential to open the door.
- Passage mode: The door is open. This operation mode can be established automatically or manually by authorized users cards.

- First user: The door is in standard mode until the first user with authorized access opens the door. After that operation, the door will remain in passage mode.
- Double user: Two users with authorized access must approach their credentials to open the door.
- In models with keypad also: Keypad only: Check-In by PIN solution: allows guests to open their room with a personal PIN code. Perfect solution for unattendant receptions.
- Card + PIN: the users must approach the card and after enter a personal PIN into the keypad to open the door

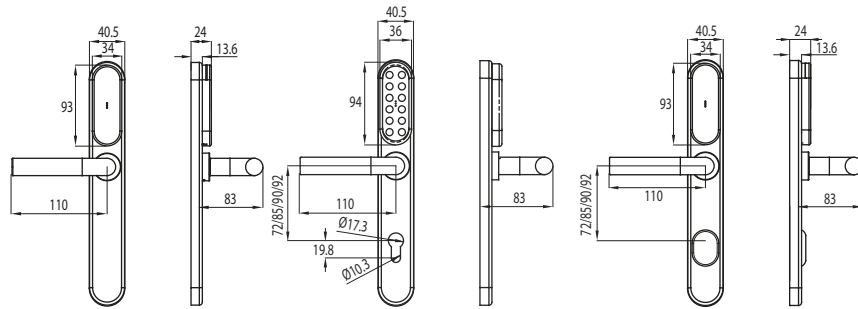
Special features

- Standard or ADA users. Standard opening time from one to 240 seconds. ADA users will have double time.
- Electronic privacy with internal thumb turn (to deny access to open the door when a user is inside. Optional: Privacy overrides passage.
- Mechanical key override detection (with a special mortise lock)

3 Mobile solutions (Openow)

For mobile solutions, the electronic lock MUST include the following RF module:

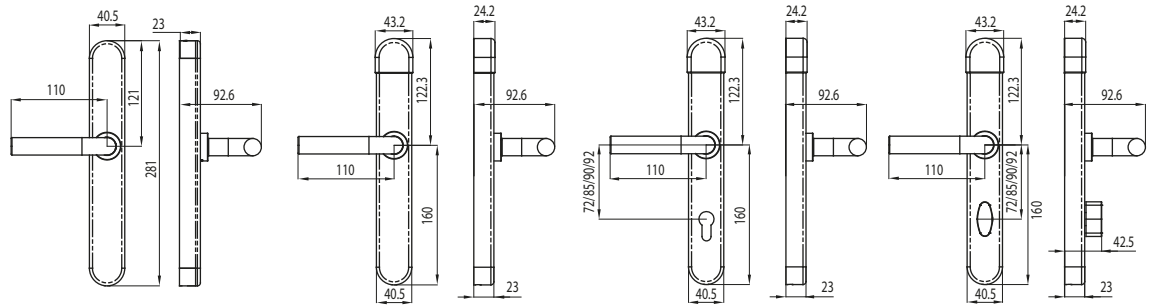
- Openow module. For offline and update on card systems.
- It is also necessary to activate the functionality in the software license.



Ext. Lock (LS1/L5S)

Ext. Lock (with keypad)
(L2V/L3V/L8V/L9V)

Ext. Lock
(L2O/L3O/L8O/L9O)



Int. Lock without Openow
(L1S)

Int. Lock with Openow
(L1S/L2)

Int. Lock with mech. cylinder
and Openow (L3V/O)

Int. Lock with privacy and
Openow (L5S/L8/L2 CIT/L9)

Mechanical Technical Characteristics

External lock

- Not handed.
- Freewheeling handle when the door is close.
- Turns 60° up and down (valid for lift & lock mortise locks).

Internal lock

- Panic function. The internal handle always opens the door.
- The electromechanical clutch works with a special split spindle.
- The spindle has different lengths according the door width.
- From 30mm to 110mm door width.

Mortise lock (TESA 2UB default mortise lock)

- Compatible with Euro, ANSI, DIN, tubular, multipoint, aluminium, narrow profile mortise locks and emergency exit doors.
- Pass through follower is required.
- Distance between axes from 70mm to 105mm.
- 7mm, 8mm or 9mm spindle.

Handles and finishes



More models available. Please consult.

i-max Models

Without electronic privacy

- 7mm, 8mm or 9mm spindle.
- Distance between axes from 70mm to 105mm.
- L1S Model. Without mechanical key override (blind).
- L2V/L2O Model. With half mechanical key override (visible/hidden).
- L3V/L3O Model. With double mechanical key override (visible/hidden).
- L9 Model. With half mechanical external cylinder and internal thumbturn.

With electronic and mechanic privacy

This model requires a special mortise lock and cylinder from TESA.

- 8mm spindle.
- 85mm distance between axes.
- L5S Model. Without mechanical key override.
- L8V Model. With visible mechanical key override.
- L8O Model. With hidden mechanical key override.



Reader

Black

White

Stainless Steel

Satin Chrome

Polished Brass

Polished Chrome

Satin Brass

Antique Brass

White

Black

Marengo

Antibacterial coating



AUB Limited
Unit A, 12/F, Hung Mou Industrial Building,
62 Hung To Road, Kwun Tong,
Kowloon, Hong Kong
Tel : +852 2375 6110
Fax : +852 2406 2602
enquiry@aub.com.hk
www.aub.com.hk